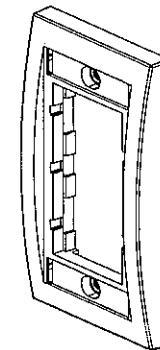
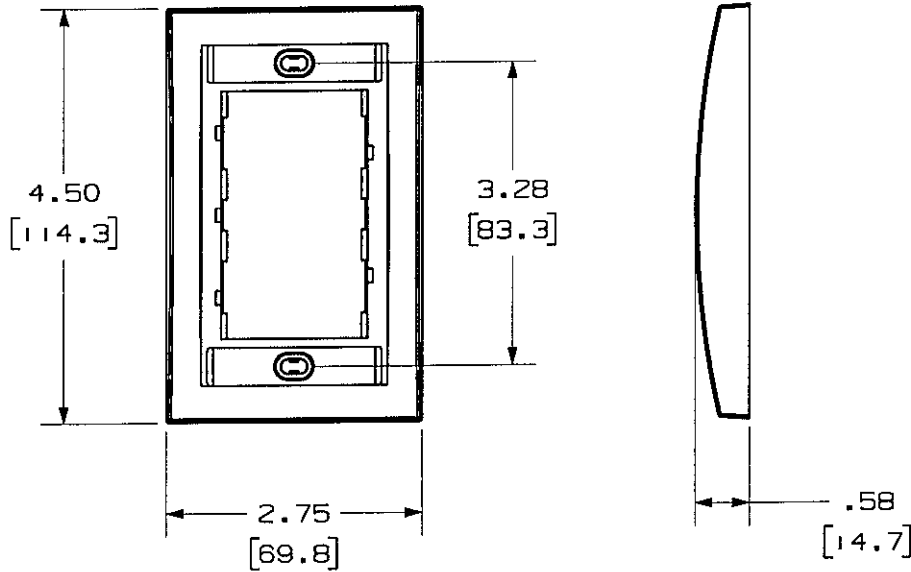


THIS COPY IS PROVIDED ON A RESTRICTED BASIS AND IS NOT TO BE USED IN ANY WAY DETRIMENTAL TO THE INTERESTS OF PANDUIT CORP.

| | |
|-------------|----------------------------------|
| PANDUIT P/N | WEIGHT |
| CBE**Y | .68 LB/10 PCS (307 g/10 PCS.) |

NOTES:

- SEE CURRENT CATALOG FOR ADDITIONAL PART NUMBER SUFFIXES TO INDICATE COLOR AND OR PACKAGE QUANTITY.
- SEE CATALOG FOR COMPLETE LIST OF PARTS APPLICABLE FOR USE WITH THIS PART.
- DIMENSIONS IN [] ARE METRIC.
- PART INCLUDES:
 - FACEPLATE FRAME
 - #6-32 X 1" MOUNTING SCREW
 - LABEL
 - LABEL COVER



| | | | |
|------------------|------------------------|------|---|
| MODEL FILENAME | D35544BF_CBE_02.PRT | SIZE | A |
| DRAWING FILENAME | M02479EZ_DC132_00A.PRT | | |

NETWORK SYSTEMS
MAY 26 2006
ENGINEERING DEPT

SINGLE GANG EXECUTIVE FACEPLATE
FRAME CUSTOMER DRAWING

| | | |
|--|---|--------------------------|
| <p>PANDUITTM CORP. TINLEY PARK, ILL 60477</p> | I.I. NUMBER | N/A |
| | PRODUCT SPEC | N/A |
| | WORK INSTRUCTION | N/A |
| | SCALE | NONE |
| <p>THIRD ANGLE PROJECTION</p> | <p>ALL DIMENSIONS ARE GIVEN IN INCHES, UNLESS OTHERWISE SPECIFIED. DIMENSIONAL TOLERANCES ARE: (.X) ± (.XXX) ± .010(.3) (.XX) ± .031(.8) ANGLES ±</p> | |
| DRAWN BY JsP | MATERIAL: | PART NO. CBE**Y |
| DATE 4-19-06 | ABS | DRAWING NO. 02479-132 |

| REV | DATE | BY | CHK | DESCRIPTION | ECN | R | CUST | SUP | OTH |
|-----|---------|-----|-----|------------------------|-----------|-----|------|-----|-----|
| R | 4-19-06 | JsP | M/O | RELEASED TO PRODUCTION | 02479-132 | M/O | M/O | | |